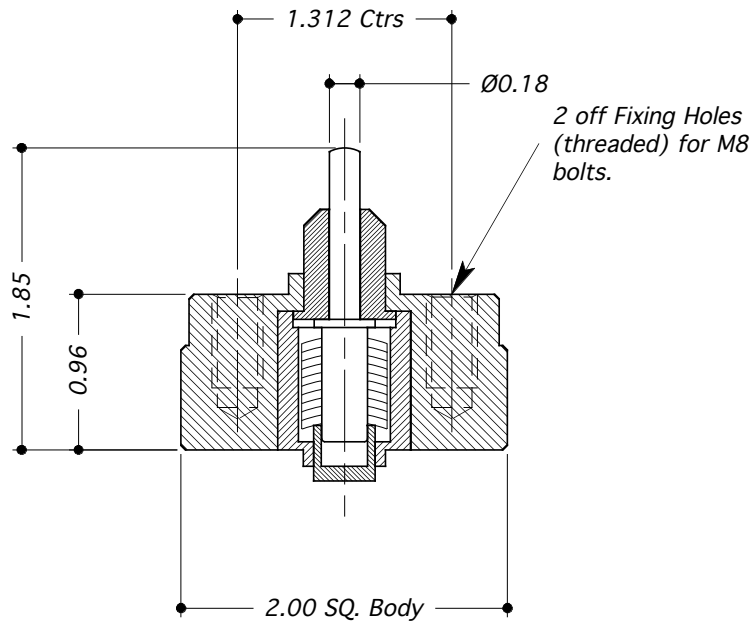


GAM PIN ACTUATOR TYPE: C1

- STAINLESS STEEL (316 / 1.4404)
- ALL DIMENSIONS IN INCHES.



TECHNICAL SPECIFICATION		ORDERING EXAMPLE
Actuator Type:	C1	C1
Dry Weight (kg)	0.5	
Working Temperature Range:	-10°C to +120°C	